

# High Pressure Gas Master Valves

## HP9560 Series

### Application

The HP9560 Series high pressure brass valves are used on cylinder filling panels, tube trailers, and high pressure manifolds and piping systems. The HP9560 Series exhibits a very low operating torque under pressure for ease of manual operation.

### Features

- 5600 psi (386 barg) maximum working pressure
- Non-rising stem design with O-Ring Seal for durable service.
- Large brass handwheel for easy low torque operation under pressure.
- All valves cleaned for use in oxygen per CGA G-4.1.
- Temperature range -40°F (-40°C) to +165°F (73.9°C).
- 100% Factory Tested

### Materials

Body, bonnet, stem, and seat retainer, stem seal retaining rings and washer ..... Brass  
 Stem O-ring ..... Viton  
 Thrust bearing ..... PCTFE

### Soft Seat Option

The soft seat valves use a PCTFE seat disc in the seat retainer to create a “bubble-tight” seal against a machined seat surface on the brass body. Valve Cv is 2.6. The soft seat option is especially useful for small molecule gases like hydrogen and helium, but can be used for a variety of non-corrosive industrial gases including argon, nitrogen, carbon dioxide, nitrous oxide, and acetylene.

### Metal Seat Option:

A copper seat disc is used in the seat retainer to create a seal against a Monel body seat, which is installed into the body and can be replaced. Valve Cv is 2.3. The metal seat option minimizes the possibility of seat decomposition or ignition in oxygen service under adiabatic compression. The metal seat option is recommended for oxygen, and can also be used for other non-corrosive industrial gases. The metal seat option is not to be used for acetylene due to the copper seat. Not to be applied in hydrogen or helium service or where a “bubble-tight” seal is essential. (Note: C in part number)

**Nylon seat option:** available also (ex. HP9560NB).

### Bonnet Versions

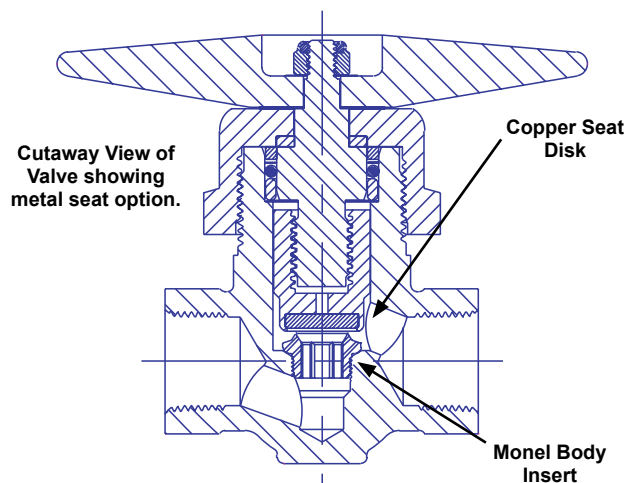
- Standard Bonnet for low profile.
- Panel Mount Bonnet for ease of panel installation. Includes threaded bonnet and nickel plated brass mounting nut. Metal Seat Option 1.625” diameter panel hole required for mounting. (Note: P in part number)



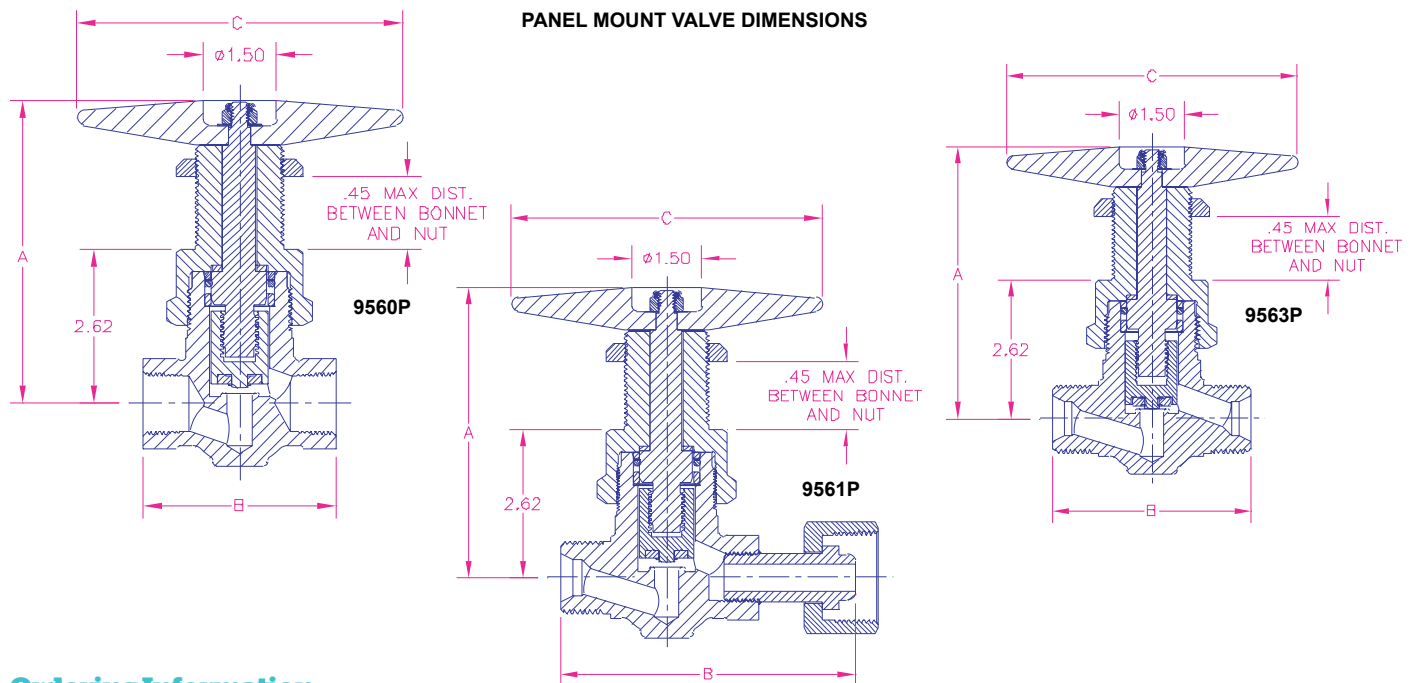
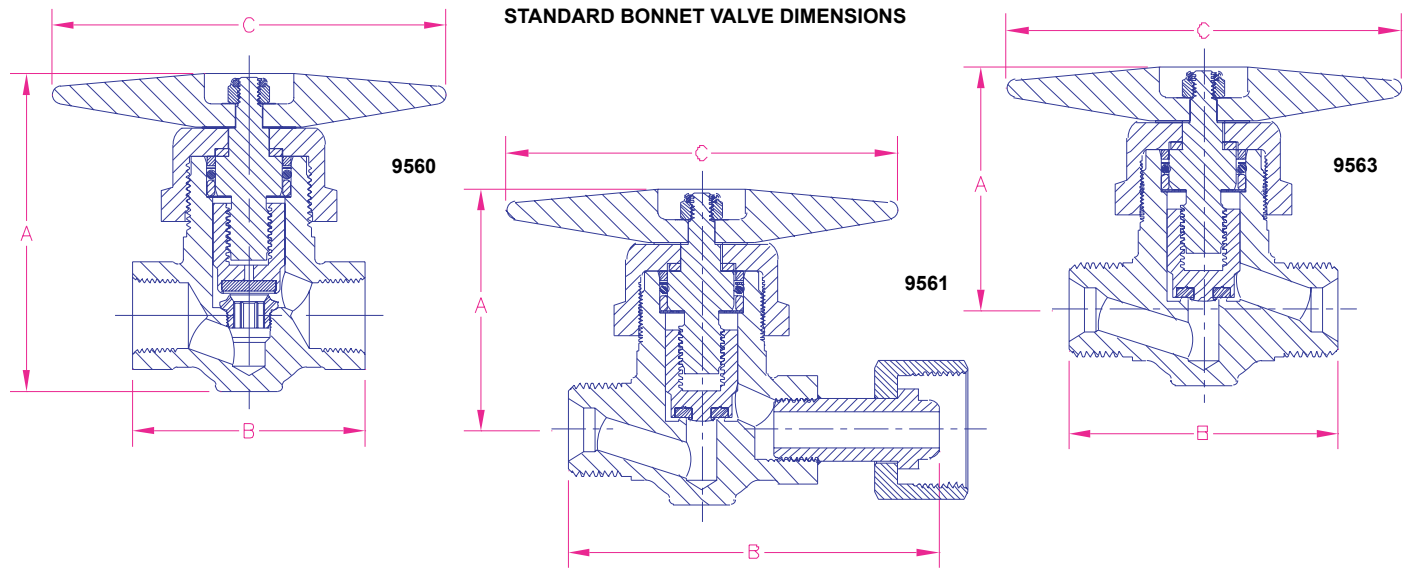
**STANDARD BONNET VALVE**



**PANEL MOUNT VALVE**



# High Pressure Gas Master Valves HP9560 Series



## Ordering Information

Part Number		Inlet Connection	Outlet Connection	Height A	Length B	Handwheel Length C
Soft Seat	Metal Seat					
HP9560A	HP9560CA	½" F. NPT	½" F. NPT	4.36" *[6.19" for panel mount version]	3.25"	5.5"
HP9560B	HP9560CB	¾" F. NPT	¾" F. NPT			
HP9561R	HP9561CR	1"-11½" NPSM R.H.	1"-11½" R.H. Female Swivel		5.27"	
HP9561RL	HP9561CRL	1"-11½" NPSM R.H.	1"-11½" NPS L.H. Female Swivel			
HP9561L	HP9561CL	1"-11½" NPSM L.H.	1"-11½" L.H. Female Swivel		3.79"	
HP9563R	HP9563CR	1"-11½" NPSM R.H.	1"-11½" NPSM R.H.			
HP9563L	HP9563CL	1"-11½" NPSM L.H.	1"-11½" NPSM L.H.			
HP9560ASE	HP9560CASE	.843 - .847	.843 - .847		3.25"	
HP9560BSE	HP9560CBSE	1.053 - 1.057	1.053 - 1.057			
HP9560BSE-B	HP9560CBSE-B	1.053 - 1.057	¾" F.NPT			

Note: Place "P" at end of part number for panel mount version.

Nylon seat option is also available (ex: HP9560NBP)

For different handwheel size consult factory.