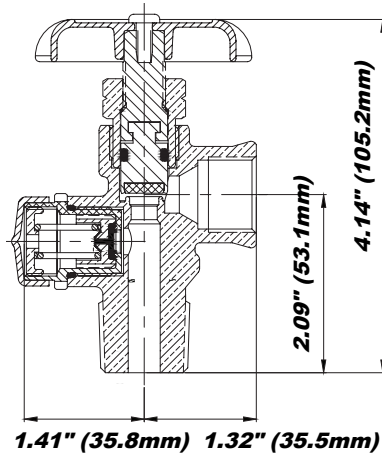


# PVE3250 Series Propylene Valves for DOT Cylinders



**PVE3250R-435**

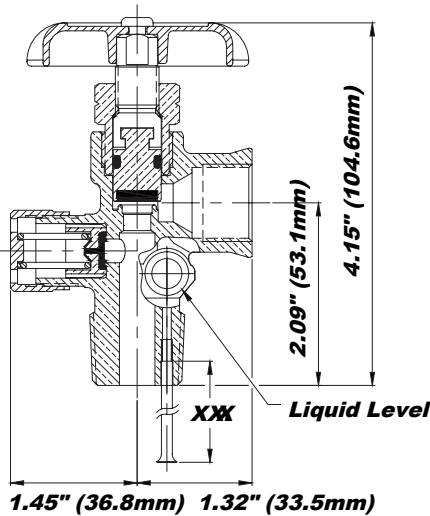


## PVE3250R Series Key Features & Benefits

- Internal pressure relief valve
- Designed for use in single port 100 lb. or multi-port 420 lb. DOT cylinder
- For use with both 4BW240 and 4BW260 cylinders
- Start to discharge pressure 435 not to exceed to 480 PSI
- Compliant with CGA Technical Bulletin 27
- Rugged C36600 brass body construction
- Includes replaceable PRV (CGA recommends replacing every 10 years)



**PVE3250CLG435**

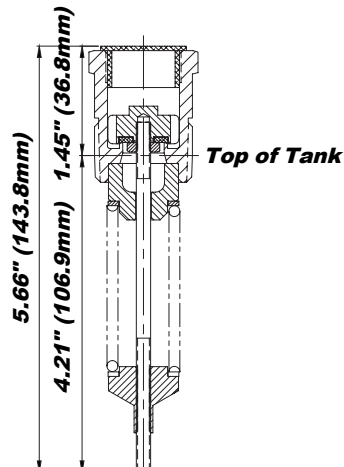


## PVE3250C Series Key Features & Benefits

- Designed for use in single port 100 lb. or multi-port 420 lb. DOT cylinder
- Compatible with propylene only 4BW260 cylinders
- Pressure relief valve incorporated into the valve body, not replaceable (CGA recommends replacing every 10 years)
- Rugged C36600 brass body construction
- Start to discharge pressure 435 PSI
- Compliant with CGA Technical Bulletin 27



**PVE446B**



## PVE446B Series Key Features & Benefits

- Compatible with propylene only, 4BW260 cylinders
- For use on 420 lb. multi-port cylinders
- Start to discharge pressure 435 PSI
- Compliant with CGA Technical Bulletin 27

**Design Specifications**

	English	Metric
<b>Maximum Working Pressure</b>	500 PSI	34 BAR
<b>Operating Temperature Range</b>	-50° F to +149° F	-45° C to +65° C
<b>Storage Temperature Range</b>	-60° F to +149° F	-51° C to +65° C
<b>Leak Rate Internal/External</b>	1 × 10 <sup>-3</sup> atm cc/s	1 × 10 <sup>-3</sup> mL/sec
<b>Operating Torque</b>	10-20 in lbs.	1.1- 2.2 N-m
<b>Bonnet Installation Torque</b>	50- 60 ft.-lbs.	67- 44 N-m
<b>Minimum Cycle Life</b>	2000 Cycles	2000 Cycles

Part Description	Materials of Construction
Body	Brass C37700
<b>Bonnet &amp; Stem Assembly</b>	
Bonnet	Brass C36000
Upper Stem	PTFE Coated Brass C36000
O-Ring	Buna-N
Lubricant	Drakeol #9 Oil
Lower Stem	Brass C36000
Seat	Nylon
Handwheel	Aluminum
Handwheel Screw	Plated Steel
<b>Safety Assembly</b>	
Safety Body	Brass C36000
Spring	Stainless Steel
Safety Seat Holder	Glass Filled Nylon
Safety Seat	Buna-N
Safety Retainer	Brass C36000
Bonnet Locking Pin	Plated Hardened Steel
Protective Cap	Vinyl
Thread Sealant	Everseal 183

**Replacement Parts**

<b>3250-8LH-KIT</b>	Bonnet Assembly Kit for PVE3250C and PVE3250CLG
<b>3250R-10-KIT</b>	50 Replaceable Pressure Relief Devices for PVE3250R-435
<b>TL3250R</b>	Tool for Replaceable CG-7



**TL3250R**

**Ordering Information**

Sherwood Part Number	Cylinder Type	CGA Outlet Connection	Inlet Connection	Start to Discharge Setting (PSI)	Special Features
<b>PVE3250C-435</b>	4B260, 4BA260, 4BW260	510	¾" NGT	435-520	—
<b>PVE3250CLG435-XX.X*</b>	4B260, 4BA260, 4BW260	510	¾" NGT	435-520	Liquid Level Gauge, Dip Tube
<b>PVE3250R-435</b>	4B260, 4BA260, 4BW260, 4BW240	510	¾" NGT	435-480	Replaceable CG-7 Pressure Relief Device
<b>PVE446B</b>	4B260, 4BA260, 4BW260	1.0-20 UNEF-2B	1"NPT	435-520	Relief Valve for Propylene Service Only

\* XX.X — Specify length of dip tube relative to cylinder size.