

# ASME Relief Valves for Gas & Cryogenic Systems

## PRV 19430 Series Brass Relief Valves & PRV 29430 Series Stainless Steel Relief Valves

### Application

The 19430 and 29430 relief valves are designed for oxygen and other industrial gases and for cryogenic service in the vapor space. Apply on piping systems, liquid cylinders or mini-bulk cryogenic containers where an ASME relief valve is required.

### Features

- A.S.M.E. rated, National Board Certified.
- Bubble tight at 95% of set pressure.
- Full flow at 110% at set pressure.
- Repeatable performance.
- 100% factory tested.
- Temperatures Range -320° F to 165° F. (-196°C TO +74°C)
- Cleaned and packaged for oxygen service per CGA G-4.1.
- Rated for vapor service only, not liquid.

### Materials SS Style

Body .....	Stainless Steel
Spring .....	Stainless Steel
Seat Retainer.....	Stainless Steel
Pipe-Away Adapter .....	Stainless Steel

### Materials PRV and B-Style

Body .....	Brass
Spring .....	Stainless Steel
Seat Retainer.....	Brass
Pipe-Away Adapter .....	Brass

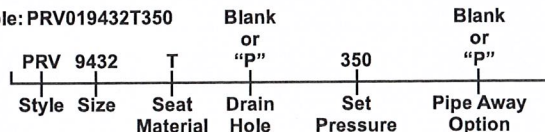
### Flow Performance

PRV19430 and PRV29430 Series: 0.783 SCFM of air per PSIA of flow pressure. Flow pressure per ASME is 10% above set pressure.

### Ordering Information

Fill in the blanks with options below.

Example: PRV019432T350



### Seat Material

F for Fluorosilicone for 90 to 139 psig set.  
T for PTFE for 140-600 psig

### Drain Hole

Leave blank for relief with drain hole. Insert P if no drain hole.

### Set Pressure

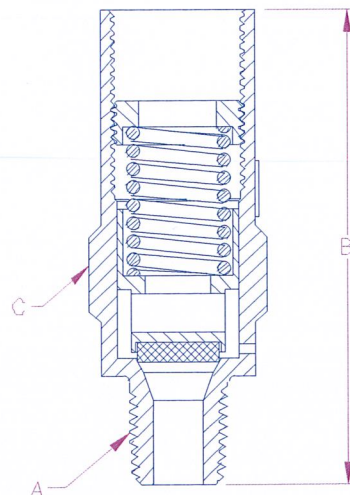
Enter number for set pressure in PSIG from 90 to 600.

### Ordering Information

Part Number	Inlet A	Height B	Wrenching Hex C	Orifice Size
PRV 19432	¼"	2.6	⅜"	.062 sq. inch
PRV29432				
PRV 19433	⅜"	2.6	⅜"	.062 sq. inch
PRV29433				
PRV 19434	½"	2.8	⅜"	.062 sq. inch
PRV29434				



1943 Series



**WARNING:** Inspection and maintenance of pressure relief valves is very important. Failure to properly inspect and maintain pressure relief valves could result in personal injuries or property damage. The useful safe service life of a pressure relief valve may be significantly affected by the service environment.