

RegO “NR” Series Noise Reduction Relief Valve

Application

Designed especially for indoor applications such as laboratories where relief valve discharge noise is an issue. RegO’s NR series PRV provides excellent flow characteristics with a 50% reduction in outlet noise related to valve relief.

Features

- Packaged and cleaned for oxygen service per CGA G-4.1
- Bubble tight at 95% of set pressure
- 100% factory tested
- Repeatable performance
- Temperature range -320° to +165° F (-196°C to + 74°C)

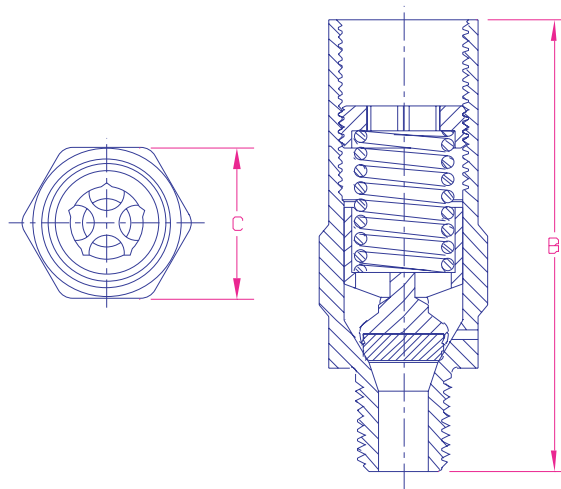


Materials

Spring Steel
 Gasket PTFE
 Body Brass

WARNING

Inspection and maintenance of pressure relief valves is very important. Failure to properly inspect and maintain pressure relief valves could result in personal injuries or property damage. The useful safe service life of a pressure relief valve may be significantly affected by the service environment.



Part Number	Seat Material	Inlet Connections (M.NPT)	“B”	“C”	Orifice Size In	Factory Pressure Setting (PSIG)	Pipe-Away Adapter
NR009432F022	Fluorosilicone	1/4"	2.60"	7/8"	.062	22	B-9412-2
NR009432F050						50	
NR009432F100						100	
NR009432T230	PTFE					230	
NR009432T250						250	
NR009432T300						300	
NR009432T350						350	
NR009432T360						360	