

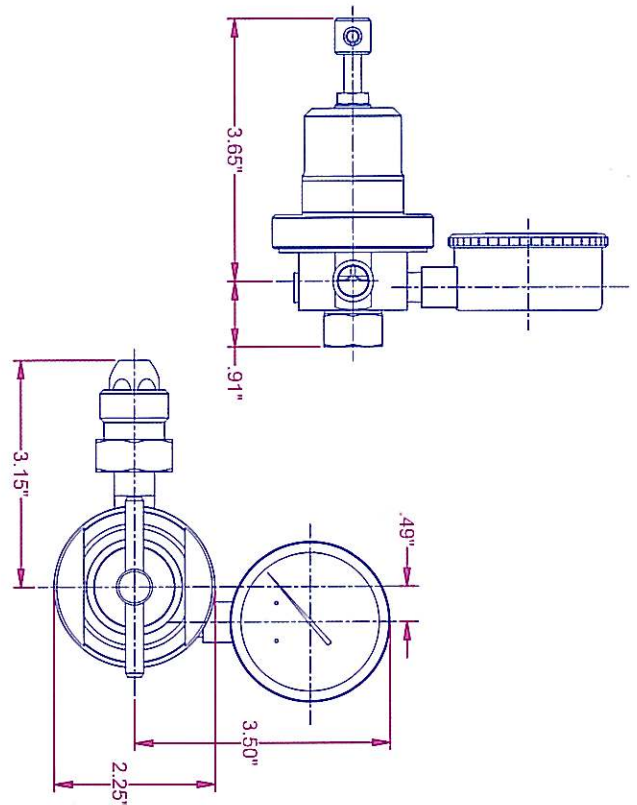
# Cryogenic Liquid Cylinder Regulator LCR Series

## Application

The REGO LCR Series regulator assembly controls the pressure from the gas use line discharge of any liquid cylinder with a flow capacity at least double the vaporization capacity of the cylinder vaporization coil. For use with oxygen, nitrogen, argon, or carbon dioxide liquid cylinders.

## Features

- All parts are copper alloy (brass), PTFE and stainless steel materials selected specifically for compatibility with cryogenic temperatures down to -320°F.
- PTFE seat helps assure a positive shut-off at cryogenic temperatures down to -320°F.
- Easy adjusting screw to maintain pressure setting
- 100% Factory tested
- CGA fitting inlet connection for ready hook-up and ¼" F. NPT outlet.
- Pressure gauge for deliver pressure ranges available.
- Two delivery pressure ranges available.
- Clean for use in Oxygen per CGA G-4.1
- Temperature range -320°F (-196°C) to + 165°F (74°C)
- Maximum inlet pressure 550 PSI
- Inlet filter helps prevent foreign material from entering the regulator.



## Materials

Body & Bonnet.....	Brass
Seat Retainer.....	Brass
Seat.....	PTFE
Spring & Nut.....	Stainless Steel
Diaphragm Gasket.....	PTFE
Diaphragm.....	Bronze
Backcap Gasket.....	Copper

## Ordering Information

Part Number	Gas	Liquid Cylinder Connection	Delivery Pressure Range
LCR200A580	Nitrogen/Argon	CGA 580	25 to 250 psig
LCR200A540	Oxygen	CGA 540	25 to 250 psig
LCR200A320	Carbon Dioxide	CGA 320	25 to 250 psig
LCR350A580	Nitrogen/Argon	CGA 580	100 to 350 psig
LCR350A540	Oxygen	CGA 540	100 to 350 psig
LCR350A320	Carbon Dioxide	CGA 320	100 to 350 psig