

Low Pressure Regulators 4286-10 Series & 4289-10 Series

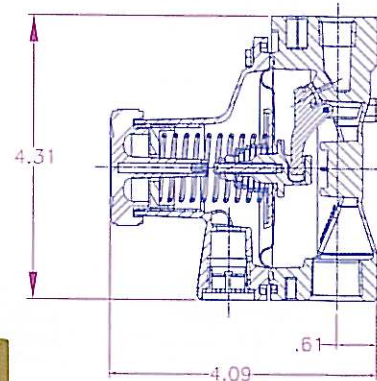
Application

The 4286 and 4289 series inertrol third-stage low pressure regulators are designed especially for secondary regulation of gaseous nitrogen on electrical transformer systems.

These regulators are factory preset at 14" to 15" water column delivery pressure with an inlet pressure of 5 to 10 PSIG.

Features

- Large diaphragm allows for highly sensitive and accurate low pressure control.
- Incorporates integral relief valves (except on 4289-10).
- Zinc body and bonnet resist corrosion and provide longer life.
- Adjusting screw is concealed by a cap to help prevent against tampering by unauthorized personnel.
- Operating temperature range is -40°F to +160°F.



4286-10

Materials

Body	Zinc
Bonnet	Zinc
Diaphragm	Buna N
Seat Disc	Buna N
Spring	Steel

Ordering Information

Part Number	Inlet (NPT)	Outlet (NPT)	Delivery Pressure Setting	Relief Valve Setting
LV4286-10-5	1/4"	3/8"	14"-15" w. c.	5 PSIG
LV4286-10-8				8 PSIG
4289-10				None

Alarm Gauges 4285-9B

Application

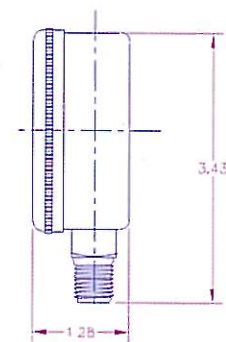
The 4285-9B inertrol alarm gauges are designed to alert the user when pressure has fluctuated ± 90 PSIG from the 300PSIG factory setting. Under these conditions, electrical contacts in the switch will close and set off a user-furnished alarm system.

Features

- Solid brass gauge casing resists corrosion and provides for longer life.
- Equipped with a heavy-duty, 36" long, 3-wire electrical cable.
- Each gauge is factory pre-set at 300 PSIG, then sealed to help prevent against tampering once in service.
- Electrical circuit is rated for a maximum of 3 AMPS at 460 volts AC.



4285-9B



Materials

Gauge Casing	Brass
--------------------	-------

Ordering Information

Part Number	Inlet M.NPT	Diameter	Pressure Range (PSIG)	Adjustable	Alarm Furnished
4285-9B	1/4"	2 1/2"	0 - 4000	No	None