

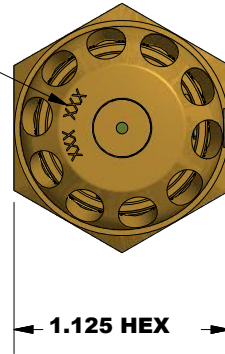
959BX10 ENVELOPE

REVISIONS

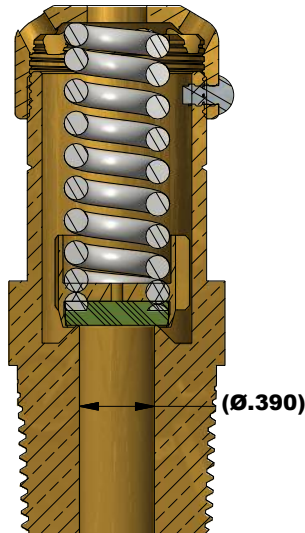
A	KAM	03-10-14	ECOXXXXX
B	JWE	03-01-18	ECOXXXXX

TECHNICAL SPECIFICATIONS
SAFETY DEVICE APPROVED BY BUREAU OF EXPLOSIVES, FILE
25-16-242-25AG DATED JUNE 27, 1957.
WATER CAPACITY OF 538 POUNDS FOR LIQUEFIED GAS.

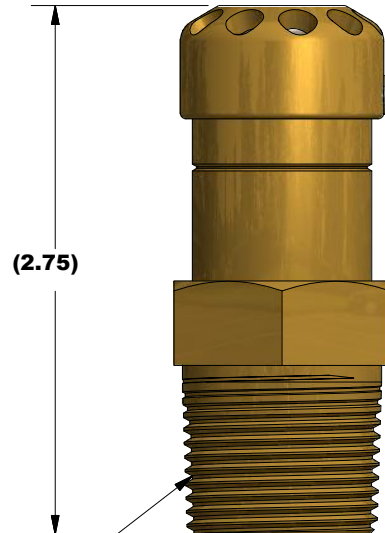
RELIEF SETTING AND
DATE CODE



1.125 HEX

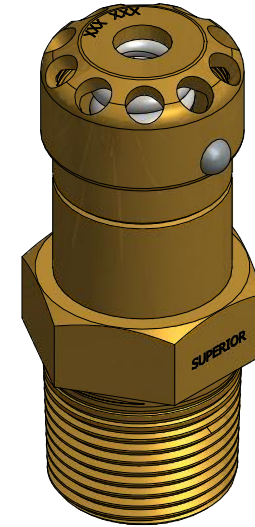


(Ø.390)



(2.75)

3/4-14 NPT



MATERIALS OF CONSTRUCTION

ITEM	MATERIAL
ADJUSTING NUT	BRASS C36000
DRIVE SCREW	STEEL, ZINC PLATED
SPRING	302 STAINLESS STEEL
SEAT HOLDER	BRASS C36000
SEAT DISC	TEFLON
BODY	BRASS C36000

PROPRIETARY INFORMATION
 INCLUDED HEREIN IS INFORMATION PROPRIETARY TO SHERWOOD VALVE LLC. THIS INFORMATION IS
 FURNISHED IN CONFIDENCE SUBJECT TO RETURN UPON DEMAND BY SHERWOOD VALVE LLC. THIS DRAWING
 SHALL NOT BE RELEASED OUTSIDE THE ORGANIZATION TO WHOM SENT BY SHERWOOD VALVE LLC, NOR
 USED, DUPLICATED OR DISCLOSED IN WHOLE OR IN PART FOR ANY PURPOSE WHATSOEVER EXCEPT AS
 AUTHORIZED IN WRITING BY SHERWOOD VALVE LLC.

UNLESS OTHERWISE SPECIFIED
 ALL DIMENSIONS ARE IN INCHES
 TOLERANCES
 .XXX = ±0.005
 .XX = ±0.01
 ANGULAR = ±2°
 EDGES OR CORNERS TO BE FILLETED OR
 BROKEN .005 R OR CHAM
 ALL DIAMETERS TO BE CONCENTRIC
 WITHIN .008
 T.I.R.
 ▲ = SEE CORRESPONDING PART NOTE
 C = CRITICAL INSPECTION DIMENSION



Sherwood Valve LLC

TITLE 959BX10- SERIES

RELIEF VALVE FOR REFRIGERANT TON CONTAINERS

DWN BY KAM	DWN DATE 3/10/2014	SCALE SCALE: 1:1
DSN CHK BY J. LANG	DSN CHK DATE	SHEET SHEET: 1 OF 1
ECO APPD BY JWE	ECO APPD DATE 6/1/2018	FORMAT ANSI - A

DWG NO.
959BX10 ENVELOPE

REV
B

A	CREATED NEW DRAWING
B	REDRAWN IN INVENTOR
REV	CHANGE