

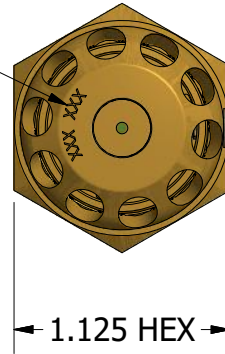
# 959BX10 ENVELOPE

## REVISIONS

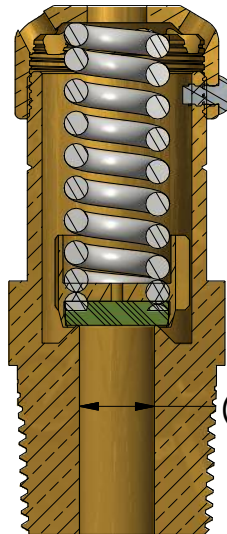
A	KAM	03-10-14	ECOXXXXX
B	JWE	03-01-18	ECOXXXXX

**TECHNICAL SPECIFICATIONS**  
 SAFETY DEVICE APPROVED BY BUREAU OF EXPLOSIVES,  
 FILE 25-16-242-25AG DATED JUNE 27, 1957.  
 WATER CAPACITY OF 538 POUNDS FOR LIQUEFIED GAS.

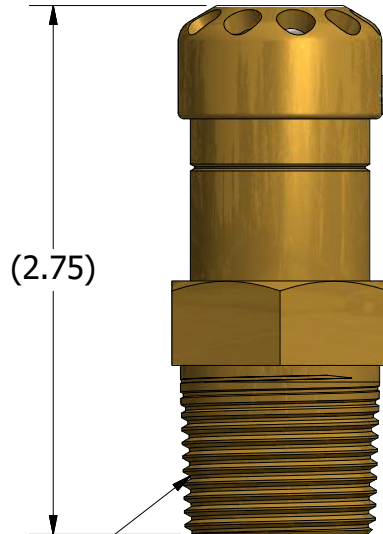
RELIEF SETTING  
 AND DATE CODE



1.125 HEX

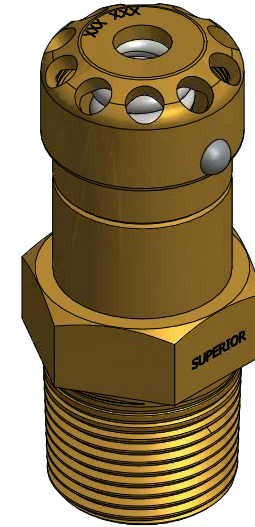


(Ø.390)



(2.75)

3/4-14 NPT



## MATERIALS OF CONSTRUCTION


ITEM	MATERIAL
ADJUSTING NUT	BRASS C36000
DRIVE SCREW	STEEL, ZINC PLATED
SPRING	302 STAINLESS STEEL
SEAT HOLDER	BRASS C36000
SEAT DISC	TEFLON
BODY	BRASS C36000

**PROPRIETARY INFORMATION**

INCLUDED HEREIN IS INFORMATION PROPRIETARY TO SHERWOOD VALVE LLC. THIS INFORMATION IS FURNISHED IN CONFIDENCE SUBJECT TO RETURN UPON DEMAND BY SHERWOOD VALVE LLC. THIS DRAWING SHALL NOT BE RELEASED OUTSIDE THE ORGANIZATION TO WHOM SENT BY SHERWOOD VALVE LLC, NOR USED, DUPLICATED OR DISCLOSED IN WHOLE OR IN PART FOR ANY PURPOSE WHATSOEVER EXCEPT AS AUTHORIZED IN WRITING BY SHERWOOD VALVE LLC.

A	CREATED NEW DRAWING
B	REDRAWN IN INVENTOR
REV	CHANGE

UNLESS OTHERWISE SPECIFIED  
 ALL DIMENSIONS ARE IN INCHES  
 TOLERANCES  
 .XXX = ±0.005  
 .XX = ±0.01  
 ANGULAR = ±2°  
 EDGES OR CORNERS TO BE FILLETED OR BROKEN  
 .005 R OR CHAM  
 ALL DIAMETERS TO BE CONCENTRIC WITHIN .008  
 T.I.R.  
 ▲ = SEE CORRESPONDING PART NOTE  
 △ = CRITICAL INSPECTION DIMENSION



**Sherwood Valve LLC**

TITLE  
**959BX10- SERIES**  
 RELIEF VALVE FOR REFRIGERANT TON CONTAINERS

DWN BY <b>KAM</b>	DWN DATE <b>3/10/2014</b>	SCALE <b>SCALE: 1:1</b>
DSN CHK BY <b>J. LANG</b>	DSN CHK DATE	SHEET <b>SHEET: 1 OF 1</b>
ECO APPD BY <b>JWE</b>	ECO APPD DATE <b>6/1/2018</b>	FORMAT <b>ANSI - A</b>

DWG NO. **959BX10 ENVELOPE** REV **B**