

Relief Valves for Gas & Cryogenic Systems

9400 Series Brass or Stainless Steel, Non-ASME

9400 series relief valves are designed for thermal line safety relief applications & cryogenic liquid containers.

- All valves cleaned & packaged for oxygen service per CGA G-4.1.
- Bubble tight at 95% of set pressure.
- Easy to read color coded psig / bar labels.
- Tamper resistant
- Adapters provide standard pipe thread connections for venting gas to outdoors.
- Repeatable performance.
- 100% factory tested.
- Temperatures Range -320° to +165° F. (-196°C to +74°C)
- Rated for gas service only

Materials SS Style

Body	Stainless Steel
Spring	Stainless Steel
Seat Retainer	Stainless Steel
Pipe-Away Adapter	Stainless Steel

Materials PRV and B-Style

Body	Brass
Spring	SS
Seat Retainer	Brass
Pipe-Away Adapter	Brass

Flow Performance

- PRV and SS style flow at 0.783 SCFM Air/PSIA at 110% of set pressure.
- B-9425N flow of 6.7 SCFM Air/PSIA at 120% of set pressure.
- B-9426N flow of 11.0 SCFM Air/PSIA at 120% of set pressure

Seat Material Option

F for Fluorosilicone for PRV and SS styles for 15-139psi.
 T for PTFE for PRV and SS styles for 140-600psi
 N for B-9425 and B-9426, Fluorosilicone seat, all set pressures.

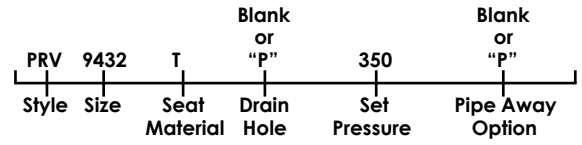
Drain Hole Option

Relief valves without pipeaway typically provided with drain holes, leave blank.
 P - for relief valves without drain hole, for example PRV9432TP350

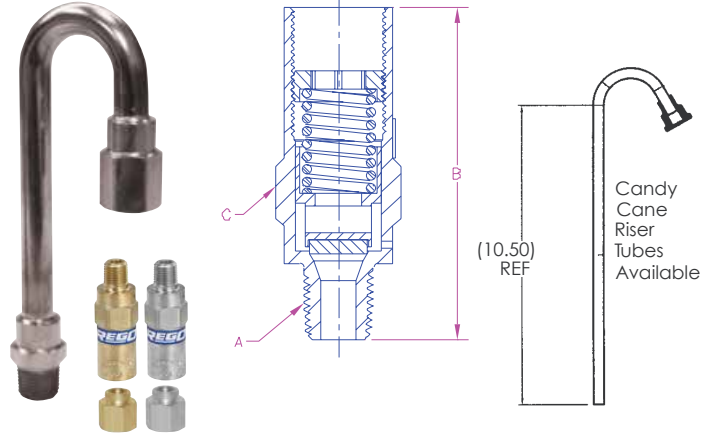
WARNING

Inspection and maintenance of pressure relief valves is very important. Failure to properly inspect and maintain pressure relief valves could result in personal injuries or property damage. The useful safe service life of a pressure relief valve may be significantly affected by the service environment.

Example: PRV9432T350



This example part number indicates a 1/4" M.NPT PRV style brass relief valve with PTFE seat, set at 350 PSIG with drain hole and no pipe away adapter.



EX 1/4" x 3/8" Alignment -

- 1/4" NPT x 3/8" OD SS Tube P/N 1332SS
- 1/2" NPT x 3/8" OD SS Tube P/N 1334SS
- 1/2" NPT x NPT SS Tube P/N 1344SS

Set Pressure

Specify set pressure w/in range specified for style and size. B-9425 & B-9426N available in select settings only. Special order.

Pipe Away Option

Pipeaway included and attached, no drain hole in relief valve. For ex: PRV9432TP350P
 Leave blank for relief valve without pipe-away attached. PRV9432TP350

For easy identification, the following standard settings have color coded labels for PRV & SS Style sizes / settings marked in PSIG and bar:

- 22 psig yellow
- 100 psig gray
- 350 psig orange
- 35 psig purple
- 150 psig red
- 450 psig pink
- 50 psig white
- 230 psig blue
- 500 psig light blue

Style	Size	Inlet M.NPT A	Body and Valve Material	Pressure Setting Range PSIG	Height B	Wrenching		Orifice Size Sq. Inch	Pipe-Away Adapter P/N	Pipe-Away Outlet F.N.P.T.
						Hex C				
PRV	9432	1/4"	Brass	17-600	2.6"	7/8"		.062	B-9412-2	3/8"
SS	9432	1/4"	Stainless Steel	17-600	2.6"	7/8"		.062	SS-9412-4	1/2"
PRV	9433	3/8"	Brass	17-600	2.6"	7/8"		.062	B-9412-2	3/8"
SS	9433	3/8"	Stainless Steel	17-600	2.6"	7/8"		.062	SS-9412-4	1/2"
PRV	9434	1/2"	Brass	17-600	2.8"	7/8"		.062	B-9412-4	1/2"
SS	9434	1/2"	Stainless Steel	17-600	2.8"	7/8"		.062	SS-9412-4	1/2"
B-	9425	3/4"	Brass	50-300	3.4"	1 1/4"		.43	B-3131-10	1"
B-	9426	1"	Brass	75-300	5.5"	2 3/8"		.62	B-3132-10	1 1/4"