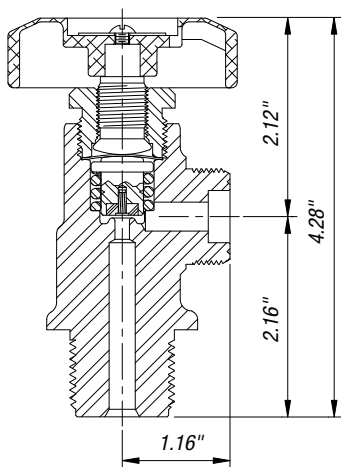


6074 Series

6074 Series

303 SS Diaphragm Packless Valves



Sherwood's 6074 Series is designed for a variety of applications, including analytical & instrumentation gases, EPA protocol gases, environmental monitoring and medical applications using pharmaceutical gases.

- Standardized anti-extrusion pin feature prevents seat extrusion and cold flow of the polymeric seat
- Available in multiple seat material configurations to accommodate all high-purity gas applications
- Increased flow (Cv) to aid in reducing vent and purge times
- Low operating torque design ensures ease of operation during filling and use
- Available with unitized pressure-relief device having fuse-metal backed or unbacked burst disc
- Optional inlets equipped for dip tube assembly
- Available with standard CGA connections as well as international inlets and outlets

Ordering Information

6074 X (CGA) X X X - C

X =
E = Electropolish
G = 25E
K = Kynar (PVDF Seat)
R = Tapped for Flow Restrictor
T = Tapped for Inlet Dip Tube
V = Vespel Seat
X15 = 1 1/8"-12 UNF

Material
N = Nickel Burst Disc
P = Platinum Burst Disc
S = Stainless Burst Disc

PSIG
A = 3000 PSIG
B = 3360 PSIG
C = 3775 PSIG
D = 4000 PSIG

Temperature
M = 165° Fuse Metal
W = 212° Fuse Metal

Additional Options
C = Add to Part Number for Cap and Chain

303 SS Diaphragm Packless Valves

Valve Series	Inlets	Outlets	Seat Material
6074 Series	3/4"-14 NGT	CGA	PCTFE PVDF
	5/8"-14 NGT		
	1/2"-14 NGT		
6074X15E Series	1 1/8"-12 UNF-2A	CGA	PCTFE PVDF
6074 International Series	BS 341, DIN 477, ISO; All Others Available upon Request	BS 341, DIN 477, ISO; All Others Available upon Request	PCTFE PVDF

Optional Features

Aluminum Handwheel	Available in Red, Blue or Rubber Coated, and Chrome Plated 6 or 8 Lobed
Outlet	Tapped for 5/16"-24 UNF Flow Restrictor
Inlet Tap	Available in 1/4", NPT or 10 mm
Electropolishing of Gas Wetted Areas	

Refer to Gases Chart on page 8 to find a valve suited for your application.

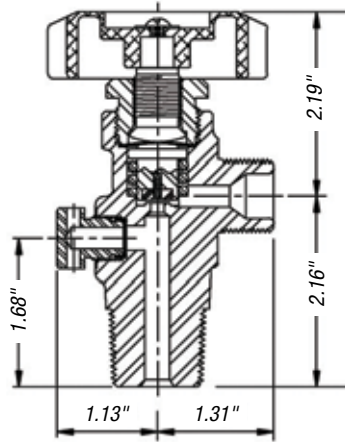
Pressure-Relief Device

Burst Pressure @ 165° F	A – 3000 PSIG B – 3360 PSIG C – 3775 PSIG D – 4000 PSIG
Burst Disc Material	Nickel 200 316L Stainless Steel Platinum-Clad Nickel
Type (per CGA S-1.1 latest edition)	None, Where Prohibited CG-1 Burst Disc Only CG-2 Fuse Plug 165° F Fuse Metal CG-4 Burst Disc w/ 165° F Fuse Metal CG-5 Burst Disc w/ 212° F Fuse Metal

Specifications

Max. Service Pressure	3000 PSIG	200 Bar
Temperature Range	-50° F → 130° F	-45° C → 54° C
Leak Rate @ 2000 PSIG (138 Bar)	1x10 ⁻⁷ atm cc/sec.	1x10 ⁻⁷ Bar mL/sec.
Closing Torque	50 in.-lbs. @ 2000 PSIG	5.6 N-m @ 138 Bar
Cv with Restrictor	.326	.326
Cv without Restrictor	.635	.635

6674 Series 316L SS Diaphragm Valves



Sherwood's 6674 Series is used in corrosive gas applications, cylinder phosphine gas, atmospheric and purging gases, dopant gases and reactant gases.

- Crimped seat feature with anti-extrusion pin prevents seat extrusion and cold flow of the polymeric seat
- Available in multiple seat material configurations to accommodate all high-purity gas applications
- Increased flow (Cv) to aid in reducing vent and purge times
- Low operating torque design ensures ease of operation during filling and use
- Available with unitized pressure-relief device having fuse-metal backed or unbacked burst disc
- Available with standard CGA connections as well as international inlets and outlets

Ordering Information

6674 X (CGA) X X X - C

X =
E = Electropolish
G = 25E
K = Kynar (PVDF Seat)
R = Tapped for Flow Restrictor
T = Tapped for Inlet Dip Tube
V = Vespel Seat
X15 = 1 1/8" -12 UNF

Material
N = Nickel Burst Disc
P = Platinum Burst Disc
S = Stainless Burst Disc

PSIG
A = 3000 PSIG
B = 3360 PSIG
C = 3775 PSIG
D = 4000 PSIG

Temperature
M = 165° Fuse Metal
W = 212° Fuse Metal

Additional Options
C = Add to Part Number for Cap and Chain

316L SS Diaphragm Valves			
Valve Series	Inlets	Outlets	Seat Material
6674 Series	3/4"-14 NGT	CGA	PCTFE PVDF
6674 International Series	ISO, BS 341, DIN 477; All Others Available upon Request	ISO, BS 341, DIN 477, JIS	PCTFE PVDF

Optional Features
Add an R or T to part number for options. For example, a 6674-330 with a tapped inlet would be 6674T-330.
R = Outlet Tapped for 5/16" Flow Restrictor
T = Inlet Tap Available in 1/4" NPT, 10 mm
Electropolish for Gas Wetted Areas

Pressure-Relief Device	
Burst Pressure @ 165° F	A – 3000 PSIG B – 3360 PSIG C – 3775 PSIG D – 4000 PSIG
Burst Disc Material	Stainless Steel – Standard Nickel 200 – Optional Platinum-Clad Nickel – Optional
Type (per CGA S-1.1 latest edition)	None, Where Prohibited CG-4 Burst Disc w/ 165° F Fuse Metal CG-5 Burst Disc w/ 212° F Fuse Metal

Specifications		
Max. Service Pressure	2400 PSIG	165 Bar
Temperature Range	-50° F → 130° F	-45° C → 54° C
Leak Rate @ 2000 PSIG (138 Bar)	1x10 ⁻⁷ atm cc/sec.	1x10 ⁻⁷ Bar mL/sec.
Closing Torque	50 in.-lbs. @ 2000 PSIG	5.6 N-m @ 138 Bar
Cv with and without Restrictor	.326/.635	.326/.635

Refer to Gases Chart on page 8 to find a valve suited for your application.



SWD0413 ©2013 Sherwood Valve, LLC



www.sherwoodvalve.com • 888.508.2583