

# Heavy Duty Gas Line Regulator

## 1780 Series

REGO  
**10**  
YEAR  
WARRANTY

### Application

The 1780 Series Regulators are designed for final line pressure regulation on gas distribution systems. They are suitable for a variety of gases in medical or industrial applications. The 1780 Series Regulators have a balanced seat, are constructed with oxygen compatible materials, and have the same valve design, brass body, and internal parts as the premium BR-1780 Series. Flow performance is equal to the BR-1780 Series.

### Features

- Maintains a steady downstream pressure across a range of inlet pressures commonly provided by a cryogenic bulk tank.
- Large seat and diaphragm areas provide high capacity with sensitive control of delivery pressure with low falloff.
- Two 1/4" FNPT delivery pressure gauge ports are located (plugged) on each side of the valve.
- Two bonnet drain/vent holes to allow for different mounting orientation.
- T-handle adjusting screw.
- Maximum inlet pressure is 500 psig (34.5 barg).
- Available in four delivery pressure ranges (A-D).
- Temperature range: -40° F to +165° F. (-40°C to +74°C)
- Cleaned per CGA G-4.1 for oxygen service.
- 100% Factory Tested

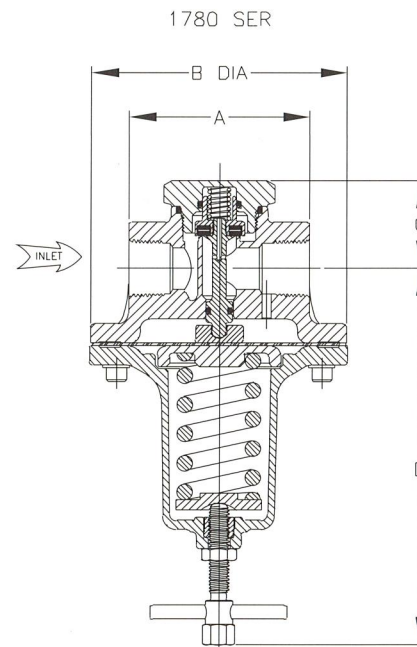
### Materials

Body ..... Forged Brass  
 Bonnet ..... Nickel Plated Aluminum  
 Diaphragm ..... Nitrile with PTFE liner  
 Springs and Fasteners ..... Stainless Steel  
 Other valve parts ..... Brass  
 Seat Disc & O-Rings ..... Viton is standard

**For Carbon Dioxide or Nitrous Oxide service: Specify EPDM material for seat disc and O-rings, add "E" to end of part number.**



**1780 Series**



### Ordering Information

Part Number	Delivery Pressure Range	Pressure Gauge*		Inlet & Outlet (F.N.P.T.)	Dimensions				Cv
		Range (psig)	P/N		"A"	"B"	"C"	"D"	
1784A	5-55 psig (0.3-3.8 barg)	1-100	1286	1/2"	2.82"	3.62"	1.38"	5.47"	3.1
1784B	40-110 psig (2.8-7.6 barg)	1-200	S1679						
1784C	100-200 psig (6.9-13.8 barg)	1-400	15578						
1784D	175-300 psig (12.1-20.7 barg)								
1786A	5-55 psig (0.3-3.8 barg)	1-100	1286	3/4"	3.31"	4.69"	1.60"	6.84"	4.8
1786B	40-110 psig (2.8-7.6 barg)	1-200	S1679						
1786C	100-200 psig (6.9-13.8 barg)	1-400	15578						
1786D	175-275 psig (12.1-19.0 barg)								
1788A	5-55 psig (0.3-3.8 barg)	1-100	1286	1"	3.31"	4.69"	1.60"	6.84"	5.5
1788B	40-110 psig (2.8-7.6 barg)	1-200	S1679						
1788C	100-200 psig (6.9-13.8 barg)	1-400	15578						
1788D	175-275 psig (12.1-19.0 barg)								

\*Regulator sold without gauge. Order gauge separately.