

1206A Series
Packed Wrench-Operated Valves for Anhydrous Ammonia Applications

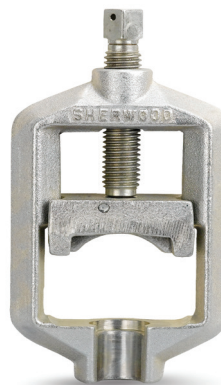
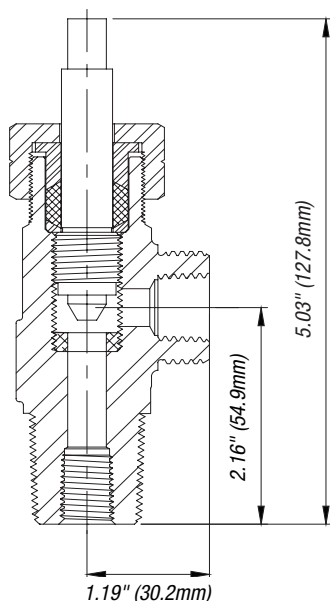
Designed for anhydrous ammonia applications, including commercial refrigeration, metal treating and chemical manufacturing.



1206AX5

Key Features & Benefits

- One-piece lead carbon steel, case-hardened, nickel-plated stem provides positive shut-off in corrosive gas service with exceptional durability
- One-piece PTFE packing promotes easy operation while providing a durable leak-resistant stem seal
- Designed to ensure a safe, long, trouble-free life under all service conditions
- 1206AX5 compatible with both CGA 705 and 240 outlets
- 1206AX9 compatible with CGA 240 outlet only
- Inlet Tap 1/4"-18 NPT



628X1



5877

Ordering Information

Sherwood Part Number	Description	CGA Outlet
1206AX5	Packed Ammonia Cylinder Valve	705, 240
1206AX9	Packed Ammonia Cylinder Valve with Lead Washer Recess	240
628X1	Ammonia Yoke	800
5877	Adapter	800

Specialty Gas Valves

1206A Series

Packed Wrench-Operated Valves for Anhydrous Ammonia Applications

Design Specifications

	English	Metric
Maximum Working Pressure	3000 PSI	207 Bar
Burst Pressure	15,000 PSI	1034 Bar
Leak Rate	1x10 ⁻⁵ atm cc/s	1x10 ⁻⁵ Bar mL/sec
Operating Temperature	-50° F to +130° F	-45° C to +54° C
Operating Torque	5–6.5 ft.-lbs.	6.8–8.8 N-m
Closing Torque	15 ft.-lbs.	20.3 N-m
Cv Flow Factor	0.733	0.733
Cycle Life	1000 Minimum	1000 Minimum

Standards Conformance

CGA V-9

CGA S1.1

CGA V-1

A-A-59860

Standards for Gas Cylinder Valves
Standards for Pressure Relief Devices
Compressed Gas Cylinder Valve Outlet
US General Services Administration Standards
for Gas Cylinder Valves

Part Description

Materials of Construction

Stem	12L14 Carbon Steel with Nickel Plating
Packing Nut	12L14 Carbon Steel with Zinc Plating
Packing Gland	12L14 Carbon Steel with Zinc Plating
Packing	PTFE
Packing Washer	12L14 Carbon Steel with Zinc Plating
Seat	Tin (SN)
Body	303 Stainless Steel