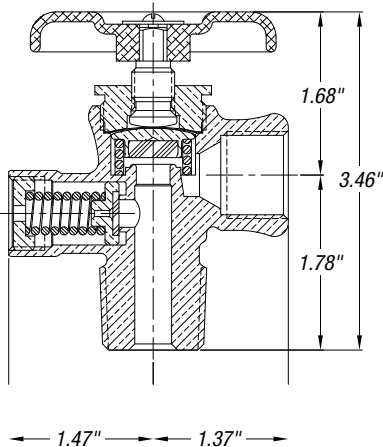
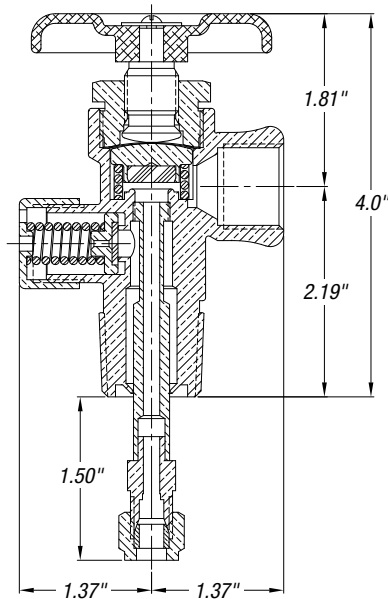


1032 Series

Low Pressure Brass Diaphragm Valves



Sherwood's 1032 Series is designed for use in liquefied gas applications, including refrigerants and flammables, and is especially suitable for propane, butane and fuel-gas applications but also sterilant gas applications.



- **High-density forged brass body and two non-perforated stainless steel diaphragms for durability**
- **Spring-loaded Type CG-7 safety for use on liquefied gas cylinders having water capacities not exceeding 254 lbs.**
- **Nylon seat insert and controlled stem travel assure positive shut-off and long, wear-resistant service**
- **Inlet and outlet connections comply with CGA V-1 Specifications**
- **Assembly torque: Bonnet 60 ft-lbs**

Low Pressure Brass Diaphragm Valves

Sherwood Part Number	Outlet Connection	Inlet Connection	Inlet Tap	Safety Type	Start to Discharge Setting (PSIG)	Seat Material	PRD Material	Special Features
1032E	510	3/4"-14NGT	—	CG-7	375	Nylon	Buna-N	Low Profile
1032X5	510	3/4"-14NGT	1/4" - 18 NPT	CG-7	375	PCTFE	Teflon	—
1032X8	510	3/4"-14NGT	1/8" - 27 NPT	CG-3	212° F	Teflon	—	—
1032X9-375	510	3/4"-14NGT	—	CG-7	375	Nylon	Buna-N	Dip Tube, Charge Port
1032X9-450	510	3/4"-14NGT	—	CG-7	450	Nylon	Buna-N	Dip Tube, Charge Port
1042X6	510	3/4"-14NGT	1/4" - 18 NPT	No PRD	—	PCTFE	—	—
1042X6T	510	3/4"-14NGT	1/4" - 18 NPT	No PRD	—	Teflon	—	—