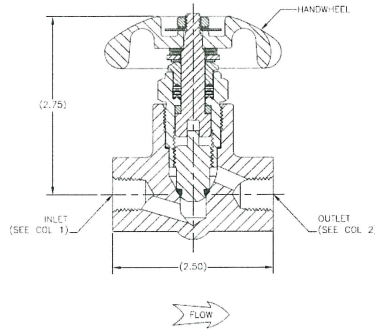
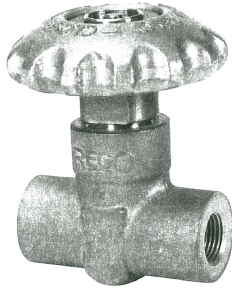


Short Stem Cryogenic Valves

T9450 Series T9460 Series



Ordering Information

Part Number	Inlet	Outlet	Orifice A	Length B	Height (Approx.) C	Tube D	Cv Factor
T9452	1/4" F.NPT	1/4" F.NPT	.250	2 1/2"	2 3/4"	None	.72
T9453	3/8" F.NPT	3/8" F.NPT	.406				1.08
T9454	1/2" F.NPT	1/2" F.NPT	.406				1.10
T9464CA	.675 Tube	3/8" F.NPT	.406	2 1/2"	2 3/4"	1 1/8"	1.08
T9464DA						2 1/8"	
T9464ADA						3 3/8"	

Application

The T9450 and T9460 series valves are designed for use on portable cryogenic cylinders and other in-line shut-off valve applications. Approved for TPED in accordance with EN1626.

Features

- Spring loaded stem seal automatically adjusts for any gasket wear, eliminating the need to constantly retighten nut.
- Non-rising stem and low profile allow the valve to fit into tight areas and still provide easy access.
- Unique pressure-sealed moisture barrier helps prevent freeze up at cryogenic temperatures.
- Conical swivel seal design helps prevent seat galling from over torquing.
- Cleaned for liquid oxygen service per CGA G-4.1.
- Maximum working pressure is 600 PSIG.
- Working temperature range is -320°F to +165°F.

Materials

Body	Brass
Bonnet	Brass
Seat Disc	CTFE
Stem Seal Gasket	PTFE
Handwheel	Aluminum
Spring	Stainless Steel
Upper Stem	Brass
Lower Stem	Manganese Bronze