

Alarm Gauges

4285-9B

Application

The 4285-9B inertrol alarm gauges are designed to alert the user when pressure has fluctuated ± 90 PSIG from the 300 PSIG factory setting. Under these conditions, electrical contacts in the switch will close and set off a user-furnished alarm system.

Features

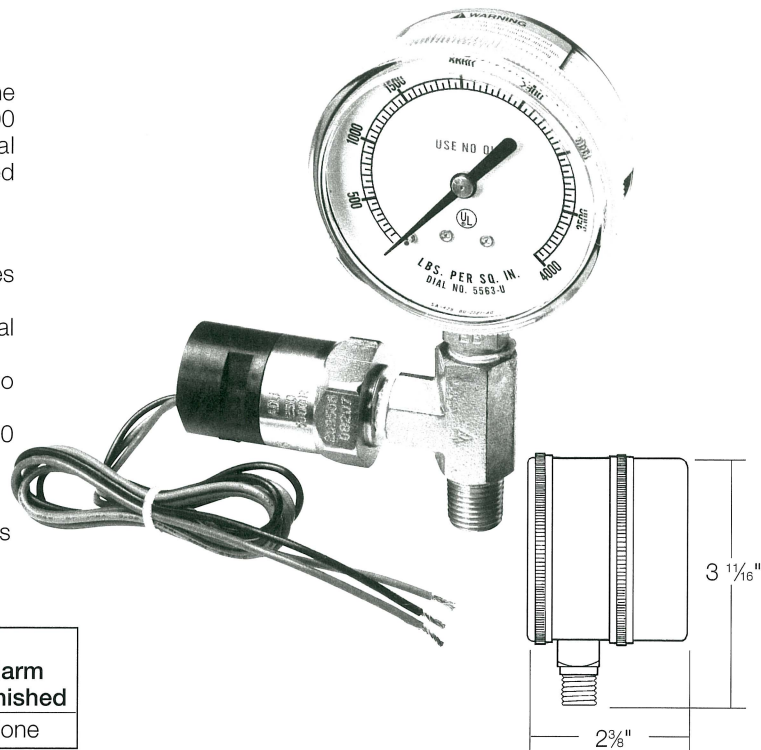
- Solid brass gauge casing resists corrosion and provides for longer life.
- Equipped with a heavy-duty, 36" long, 3-wire electrical cable.
- Each gauge is factory pre-set at 300 PSIG, then sealed to help prevent against tampering once in service.
- Electrical circuit is rated for a maximum of 3 AMPS at 460 volts AC.

Materials

Gauge CasingBrass

Ordering Information

Part Number	Inlet M.NPT	Diameter	Pressure Range (PSIG)	Adjustable	Alarm Furnished
4285-9B	1/4"	2 1/2"	0-4000	No	None



REGO CRYO-FLOW
PRODUCTS

Division of Engineered Controls International, Inc.