

Extended Stem Cryogenic Valves

ES8450 Series Extended Stem Valves BK9450 & BK9470 Series Extended Bonnet Valves

Application

These valves are designed for use as a trycock valve or hose drain valve on cryogenic tanks. Another application is as a use, liquid fill, or vent valve on mini-bulk cryogenic tanks. These valves can be used likewise for other cold gas applications requiring extended stem valves.

Features

- Union bonnet.
- One piece stainless steel stem
- Conical seat design.
- Maximum working pressure is 600 psig.
- Working temperature is -320F to +165F.
- Cleaned for oxygen service per CGA G-4.1.

ES8450 Series specific feature:

- Manual torque compression packing.

BK9450 and BK9470 Series specific feature:

- Extended bonnet and spring loaded packing.

BK9470 Series specific feature:

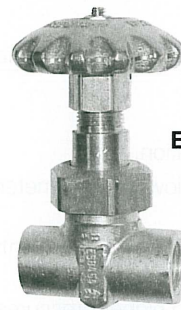
- 304 St. Stl Tube brazed into one or both ends.

Materials

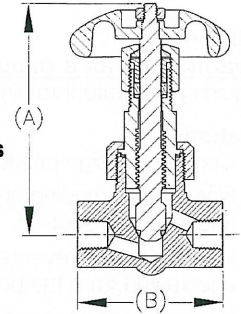
Body and Bonnet Brass
Stem Stainless Steel
Seat disc CTFE
Handwheel Aluminum
Packing and Bonnet Gasket PTFE

Conversion Kit

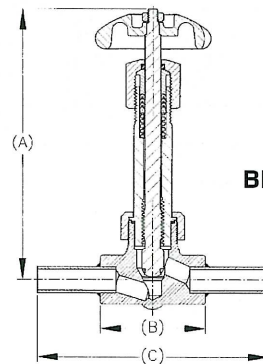
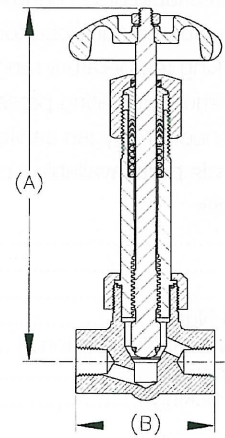
BK 9450-KIT is a bonnet and stem assembly kit to convert ES 8450 Series and previous ES 9450 Series to the BK 9450 style.



ES 8450 Series



BK 9450 Series



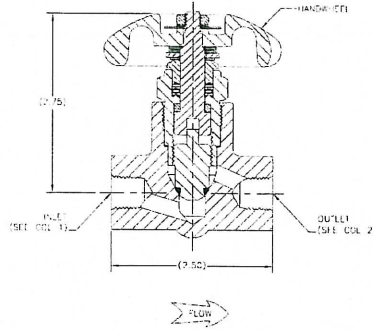
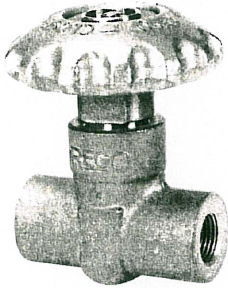
BK 9470 Series

Ordering Information

Part Number	Inlet/Outlet Connections	Height "A"	Body Width "B"	Width with Tube "C"	C _v
ES 8452	1/4" FNPT	4"	2.5"		0.70
ES 8453	3/8" FNPT	4"			1.10
ES 8454	1/2" FNPT	4"			1.10
BK 9452	1/4" FNPT	6.5"			0.70
BK 9453	3/8" FNPT	6.5"			1.10
BK 9454	1/2" FNPT	6.5"			1.10
BK 9453FA	5/8" OD tubing x 3/8" FNPT	6.5"			4.0"
BK 9475A	5/8" OD tubing both ends	6.5"	5.5"	1.10	

Short Stem Cryogenic Valves

T9450 Series T9460 Series



Ordering Information

Part Number	Inlet	Outlet	Orifice A	Length B	Height (Approx.) C	Tube D	Cv Factor
T9452	1/4" F.NPT	1/4" F.NPT	.250	2 1/2"	2 3/4"	None	.72
T9453	3/8" F.NPT	3/8" F.NPT	.406				1.08
T9454	1/2" F.NPT	1/2" F.NPT	.406				1.10
T9464CA	.675 Tube	3/8" F.NPT	.406	2 1/2"	2 3/4"	1 1/8"	1.08
T9464DA						2 1/8"	
T9464ADA						3 3/8"	

Application

The T9450 and T9460 series valves are designed for use on portable cryogenic cylinders and other in-line shut-off valve applications. Approved for TPED in accordance with EN1626.

Features

- Spring loaded stem seal automatically adjusts for any gasket wear, eliminating the need to constantly retighten the packing nut.
- Non-rising stem and low profile allow the valve to fit into tight areas and still provide easy access.
- Unique pressure-sealed moisture barrier helps prevent freeze up at cryogenic temperatures.
- Conical swivel seal design helps prevent seat galling from over torquing.
- Cleaned for liquid oxygen service per CGA G-4.1.
- Maximum working pressure is 600 PSIG.
- Working temperature range is -320°F to +165°F.

Materials

Body.....	Brass
Bonnet.....	Brass
Seat Disc.....	CTFE
Stem Seal Gasket.....	PTFE
Handwheel.....	Aluminum
Spring.....	Stainless Steel
Upper Stem.....	Brass
Lower Stem.....	Manganese Bronze